

A passion for sauna

The founder of Harvia, Tapani Harvia (1920–1998), was a purposeful man and passionate about his sauna. In the army, he was always the one who dictated the pace of throwing water on the sauna stones. At the request of those who became impatient with Tapani Harvia's style of sauna bathing, he was actually granted his own private sauna shift. Harvia's youth left him with a particularly strong memory of the deliciously soft sauna bath given off by a continuously heated stove forged by a village blacksmith. Over the years, this memory was refined into a business idea, and finally resorted into a successful product.



As a result of Tapani Harvia's hard work, professional skill and innovative style, Harvia sauna heaters were the start of a huge success story. In year 1951 founded Harvia Ltd. is today the world's leading manufacturer of sauna heaters and the market leader in the Finnish sauna heater sector. In addition to heaters, Harvia produces saunas as well as sauna accessories and products.



Contact information:

Harvia Ltd., P.O. Box 12, FI-40951 Muurame, FINLAND
Tel. +358 207 464 000, Fax +358 207 464 090
harvia@harvia.fi, www.harviasauna.com



Local dealer:

We reserve the right to make modifications without prior notice.

Harvia Sauna



A great sense of well-being derived from relaxation and aesthetics.

Procut ~ 09/2005

Natural well-being. 

Enjoy yourself.

Harvia is more than just a sauna. Harvia Sauna combines the relaxing elements of nature – wood, stone and water and brings you into the oasis of good feeling, into your sauna. The sauna is a form of beauty treatment; a moment to pamper yourself, to relax after a run or a hard week. Harvia Sauna is an aesthetic pleasure; an experience to your senses. From Harvia's extensive sauna line you can easily find a good and functional choice that fits your needs.

Natural well-being. **HARVIA[®]**
Sauna



Table of Contents

- 2 Enjoy yourself
- 5 Your sauna – an oasis of good feeling
- 7 Variant Line
- 9 Solid Line
- 11 Elegant Line
- 13 Infrared cabin
- 15 Special Saunas
- 17 Sauna Interiors
- 19 Harvia Outdoor Sauna
- 20 Doors and windows
- 21 Colour Light and sauna products
- 22 Sauna heaters
- 24 Harvia sauna expertise
- 25 Sauna floor plans by product line



Your sauna — an oasis of good feeling.

Harvia Saunas are comprehensive solutions. You get Harvia's high-quality products, aesthetic design and easy assembly – all in the same package, from the same supplier. With Harvia you create a unique and classy interior into your sauna.

Harvia – everything your sauna needs.

The comprehensive collection of Harvia comprises everything from high-quality basic products to exquisite special products. In the Harvia design, modern human needs as well as the demands of heat and moisture in a sauna have been taken into careful consideration. You can choose your sauna interior from five alternatives. Design your sauna with sauna heaters, lights, glass doors, windows, benches, panels and other Harvia products. Harvia gives the freedom and equipment to make your sauna a beautiful oasis of good feeling.



Variant Line

A sauna that looks like its owner.

The basic dimensioning of the Harvia Variant Line is ample and provides the opportunity for a variety of different arrangements. Variant Line is also the most transformable of the Harvia sauna lines; you are free to choose the wall and ceiling materials, as well as the windows and doors, from Harvia's extensive range in accordance with your own taste. You can select the interior design of your Variant sauna from Harvia Sauna Interior's five alternatives (p. 16–17). A Variant sauna is completely insulated and, therefore, very energy efficient.

Harvia Variant Line represents the modern Finnish sauna as its best. The benches, as well as the sauna interior, are designed ergonomically and with respect for original Finnish sauna traditions.

The benches, headrests and backrests are of pleasant, easy-care Abachi wood. All the wood used in the benches is elegantly rounded and the front edge is of magnificent Massive profile. The bench design and soft lighting in the sauna guarantee your enjoyment.

You can choose Spruce, Pine or some other wood for the wall and ceiling panelling of your Variant sauna. Spruce

panelling is slowly grown, healthy and tough Finnish softwood with sound knots that enliven the surface. Spruce secretes very little resin and retains its light colour for many years.

Pine panelling is made of pure Pine board that has a slightly red tinge. Its looks improve with the patina of age and it darkens beautifully as the years pass. It's faint fragrance of resin serves as a reminder of clean Pine forests.

Harvia's new top model of Variant Line, S2222KL, is the perfect choice for the most demanding customers. A rounded glass corner with pair of doors and decorative external soffit with three halogen lights complete the Harvia's sauna novelty. The interior of the sauna is tasteful Exclusive Elite.

Topclass Combi heater is for those who enjoy a soft, humid sauna bath and an aromatic atmosphere. The sauna is equipped with Harvia's new, sensational wireless remote control for saunas, the Harvia Fenix. With Fenix you can control temperature, humidity, operating time, pre-setting time, colour lights and ventilation in the sauna.





Solid Line

A soft, attractive design.

A Harvia Solid Line sauna dresses up your bathroom. The soft, new design entices you to take a sauna bath, to grasp the opportunity for a moment of enjoyment. Solid saunas are built from a very special and patented solid timber panel, representing the latest in Harvia technology.

The walls, ceiling, benches, shelving and rest benches of the saunas are also made of laminated solid wood panels, the raw wood of which is knotty Finnish Spruce. The complex special structure of these solid wood panels is designed to withstand the humidity and high temperatures of a sauna cabin.

The sauna can be left a natural wood colour on the outside or tinted with transparent colours to match other furnishings. The sauna is complemented by a window and an attachable rest bench, shelves and hook along the outer wall.





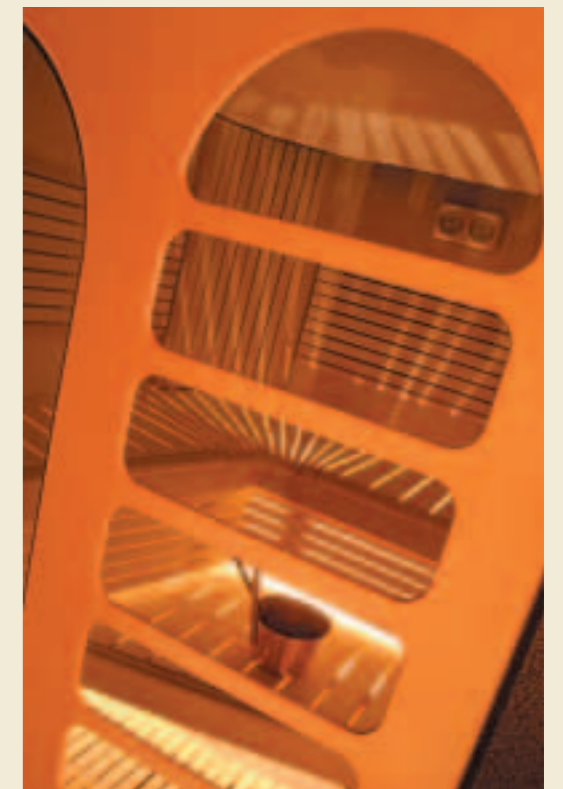
Elegant Line

A step ahead.

Harvia Elegant Line represents a tasteful new design in which wood and metal are combined into a stylish whole. Simple in shape, the Elegant sauna is ideal for spaces that are furnished with good taste and in an innovative style.

The surface structures of each Elegant sauna are high-quality, environmentally friendly and knot-free specially sorted Birch plywood. The captivating metal surfaces are available in antique copper.

The straight parts of the walls and the ceiling are thermally insulated elements with a wood board surface. The curved parts in the corners are thermally insulated elements with a metal surface. Ventilation and lighting are integrated into the corners. The Elegant Line sauna includes a multipart design window and an arched door. In addition, the sauna has a Solar interior (p. 17).





Infrared cabin

Relax whenever it suits you.

An infrared cabin lets you relax in warmth whenever it best suits you. The cabin works on the basis of direct heating radiators that produce infrared radiation. This infrared radiation provides you with an all-encompassing feeling of relaxation.

The infrared cabin offers several health benefits: it increases and stimulates blood circulation, relieves muscle pain, removes and relieves stress, and relaxes – both physically and mentally. The stylish and softly rounded infrared cabin is easy to assemble and place anywhere.

Elegant Line Infra is equivalent in shape to the Elegant Line sauna (p. 11). Just like the Elegant Line sauna, the Elegant Line Infra is also a stylish combination of wood and metal. The straight parts of the cabin's walls and the ceiling are patented wood board. Radiators are integrated into the curved corners with a metal surface. Antique copper is the colour for the outer metal surfaces of the corners and there are two colour choices for the wood boards. The cabin frame and moulding



are Mahogany. Elegant Line Infra is available in two sizes: for two or three persons.

The walls and ceiling of Solid Line Infra are the same as in Solid Line saunas (p. 9). The seat is solid wood board.



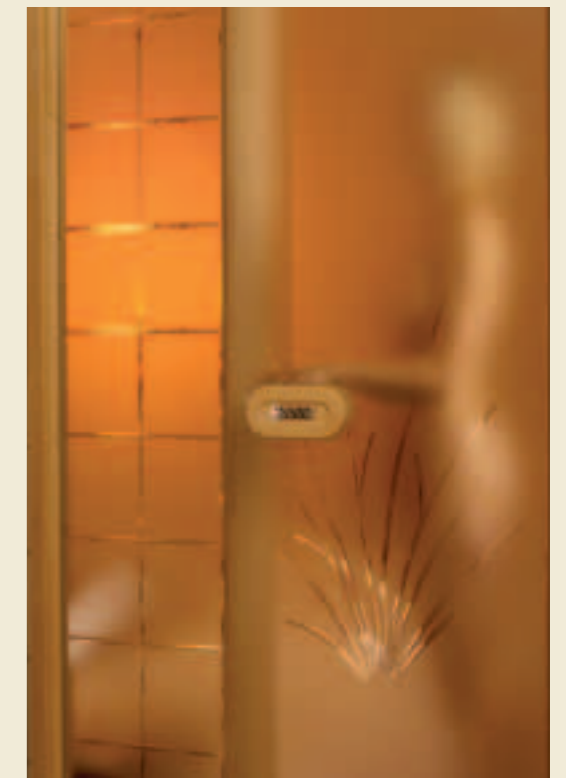
Special Saunas

A sauna tailor-made for your space and wishes.

Harvia's standard range of saunas is among the widest on the market. However, it is always possible that the planned location for a sauna cannot accommodate a standard model. Harvia's special product department will also produce tailor-made saunas according to special wishes. All design is based on traditional Harvia expertise and sauna technology. These saunas are similar to Variant Line saunas in terms of construction and equipment.

Special Saunas can be manufactured according to measurements provided by the customer; however, the highest recommended height of the sauna is 2.3 meters. The door and windows for your Special Sauna can be selected from Harvia's standard range. The sauna corner can be selected freely and the ceiling slanted for saunas built in low attic spaces. Harvia offers extra firm bench structures and larger doors for public saunas.

An example of the adaptability of the sauna is the SUB2025R/L sauna on page 27, which is a version of the Variant Line S2520R/L sauna that has been developed into a sauna type of its own. It comes



equipped with Harvia's new Hidden Heater, whose positioning behind protective walls makes special bench solutions possible. The Hidden Heater and its bench solution are well suited for medium-sized, tailor-made public saunas.





Genuine

Simple lines. Linear surfaces. Genuine is right for you if you appreciate linear design in addition to quality. Genuine uses Abachi wood as the material for the benches, as well as the backrests and bench surrounds. Genuine is the standard interior for Variant Line saunas and is included in the basic delivery unless you specifically select another interior.

Sauna Interiors

Furnish your sauna according to your own taste.

When you buy a Harvia Variant Line sauna, you cannot only select the wood type for the walls and ceiling but also an integrated package from our stylish interior line to perfectly complement your own sense of style. Harvia sauna interior packages include benches, backrests, etc. You can also furnish your sauna with separately selected Harvia glass doors and colour lights to enhance the atmosphere. Harvia Sauna Interior consists of five interior alternatives: Genuine, Exclusive, Exclusive Elite, Solar and Solar Elite.

Exclusive

Bright wood surfaces. Soft, tasteful lines. Furnish your sauna elegantly with Exclusive. The benches, backrests and bench surrounds are made of Abachi.

Exclusive Elite

Exclusive Elite is similar to Exclusive in construction and equipment. The style of Exclusive Elite is enhanced by the heat-treated Aspen decoration that frames the benches, backrests and curved corner module.



Solar

A new type of design. An interesting rhythm of colour and lines. If you want your sauna to be really memorable, Solar is for you. Abachi is used for the bench, backrest and bench surrounds in Solar. The benches, backrests and curved corner modules are accented with the warm tones of Alder decoration.

Solar Elite

The construction and equipment of Solar Elite is similar to that of Solar. The benches and backrests in Solar Elite are produced from Alder, while the benches, backrests and curved corner modules are stylishly accented with heat-treated Aspen decoration.





Harvia Outdoor Sauna

Enjoy the nature.

Harvia sauna – a genuine Finnish sauna enjoyment. Feeling of open air on your skin. Combination you have to experience! For centuries in Finland sauna was a separate building with its characteristic features.

Now you can feel the same atmosphere in Harvia Outdoor Sauna models Little Kuikka, Kuikka and Keitele.

Whether you choose the original woodburning sauna stove or easier electric sauna heater, you will find the same distinguished Harvia sauna spirit in your outdoor sauna.

Harvia Outdoor Sauna delivery is not just the sauna building itself; it is more, much more! Delivery consists of all necessary wood material, roof material of bitumite shingle, fastening material and also according to your choice woodburning sauna stove with chimney or electric sauna heater!

Next to swimming pool, in green garden or in the middle of humming forest Harvia Outdoor Sauna will give you the authentic, peaceful moments of enjoyment.



Harvia Sauna doors

A glass door allows soft light to enter your sauna.

Harvia all-glass sauna doors have been specifically designed for use in the sauna. The glass used in the doors is tempered 8 mm safety glass. Seals keep the heat in the sauna room, and also make the door close smoothly. The glass is a warm bronze, fresh green or stylish satin.

There are also two patterns available for the surface of satin and green doors: bulrushes and female figure. The frames of green and satin doors are available in knot-free Alder or Aspen, the door handle is Birch and the hinges chrome.

Glass doors increase the brightness and impression of space. They are also safer and make it easier to keep an eye on the children from one space to another. Glass doors are maintenance-free decade after decade. The doors shown in the photos are available for Variant Line and Special Saunas.



G-door Rectangle, bronze
GG-door Rectangle, green
H-door Curved upper part, bronze
B-door Rectangle, satin, bulrush pattern
F-door Rectangle, satin, female pattern
S-door Rectangle, satin

Harvia Sauna windows

Soft light filters through the glass and touches the surface of the wood.

A window, or even two windows, is standard for some Harvia saunas. A window can even be added to the windowless Variant sauna. All Harvia windows are made of 8 mm safety glass.

is easy to mount and goes beautifully with the satin-surfaced sauna doors. The frames are Alder or Aspen.

Windows are available in misty bronze, fresh green or stylish satin. Like all other Harvia sauna structures, the windows also meet the strictest safety instructions.

Harvia offers a novel alternative to glass blocks: window with a satin finish and a glass block pattern. It



Window 4 x 8 Rectangle, glass 400 x 850 mm, bronze
Window 4 x 8G Rectangle, glass 400 x 850 mm, green
Window 4 x 8H Curved upper part, glass 400 x 850 mm, bronze
Window 4 x 15 Rectangle, glass 400 x 1500 mm, bronze
Window 5 x 9 Rectangle, glass 425 x 815 mm, satin, glass block pattern
Window 5 x 18 Rectangle, glass 425 x 1790 mm, satin, glass block pattern



Harvia Colour Lights

The magnificence of colours.

Colours have a significant overall effect on the health of human beings. Harvia's colour light system consists of the Therapy control unit and a Colour Light device. The system can be installed in medium-sized and large saunas. The Colour Light device contains four different coloured halogen lamps (yellow, red, blue and green). Alteration of the colours can be controlled automatically or manually.

Sauna products to complement your enjoyment

Harvia's broad range of products offers everything from high-quality clean sauna stones to buckets, thermo-hygrometers to sauna aromas.



Sauna heaters

Pioneers in technology and design.

A stylish and high-quality Harvia heater is the heart of your sauna. Harvia's popular heaters have always been pioneers in their product group: elegant, durable and economic. The versatile product range and the heaters' ease of use are proof of good design.

Some Harvia heaters are controlled by a separate control unit. More specific information about Harvia sauna heaters is available in the brochures for Harvia electric heaters and woodburning sauna stoves.



Compact
Power: 2,0–3,0 kW
Sauna size: 1,2–4 m³



Delta
Power: 2,3–3,6 kW
Sauna size: 1,3–4,5 m³



Delta EE
Power: 2,3–3,6 kW
Sauna size: 1,3–4,5 m³



Topclass
Power: 3,0–8,0 kW
Sauna size: 2–12 m³



Sound
Power: 4,5–9,0 kW
Sauna size: 3–14 m³



Moderna
Power: 4,5–8,0 kW
Sauna size: 3–12 m³



Symphony
Power: 4,0–6,0 kW
Sauna size: 5–12 m³



Forte
Power: 4,0–9,0 kW
Sauna size: 5–15 m³



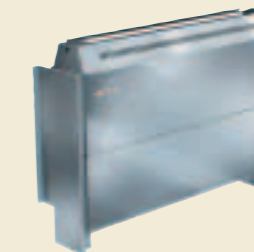
Topclass Combi
Power: 5,0–9,0 kW
Sauna size: 3–14 m³



Senator Combi
Power: 7,0–9,0 kW
Sauna size: 6–14 m³



Senator
Power: 9,0–10,5 kW
Sauna size: 8–15 m³



Hidden Heater
Power: 6,0–12,0 kW
Sauna size: 6–17 m³



Elegance
Power: 10,5–18,0 kW
Sauna size: 9–35 m³



Club, Club Combi
Power: 11–15 kW
Sauna size: 9–24 m³



Profi
Power: 20–33 kW
Sauna size: 18–66 m³



Steamer
Power: 2,0 kW



Control units

Woodburning sauna stoves



H20 Pro
Sauna size: 8–20 m³
H26 Pro S
Sauna size: 10–26 m³

Superior sauna expertise based on years of tradition

We really know how to handle wood and build saunas in Finland. Over the years this expertise has developed to its present level, but the basis for everything is still the tradition of sauna expertise and the skill of handling wood that is embedded in the very genes of Finns. Many functional and innovative solutions are results of these traditions. All Harvia saunas are manufactured from tough, slowly grown northern wood. The trees have been felled in accordance with strict EU environmental standards.

A Harvia sauna can be installed anywhere: in indoor spaces, bathrooms, basements, attics or garages. Every Harvia sauna comes with clear instructions for assembly, so you can assemble the sauna yourself or you can use one of the trained, professional assemblers employed by many Harvia dealers. Ask our local dealer for further information.



Door handle

Harvia has developed a new door handle with a functional, adjustable magnetic latch for its saunas. The magnet keeps the door closed, even if throwing water on the heater causes a pressure wave. The magnetic latch is also designed to be completely safe.



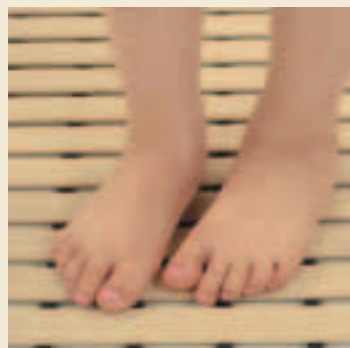
Adjustable legs

Adjustable legs are fitted onto the base frame of the sauna. They make it easier to assemble the sauna horizontally if the floor is not even. They also prevent the movement of moisture from the floor into the lower edge of the sauna walls. All Harvia saunas are delivered with adjustable legs – with the exception of Variant Line saunas, whose base wood is treated with an impregnating agent. However, adjustable legs can also be installed on a Variant sauna if so desired.



Massive skirt board

The carpentry skills at Harvia are top quality, and this is especially evident in the bench finishing for all interior options. Even in the deliveries of the basic Genuine interior, the front edge of the bench is completed with stylish Massive rounding.



Safe floorboard

Safe and hygienic plastic floorboards are available for the stepping areas of Harvia saunas. Special plastic on the underside prevents the floorboards from sliding on the floor surface. The upper surface has a pleasant graining that protects from slippage. The light boards are easy to clean on both sides and are long lasting. As an alternative, the customer may also order traditional wooden floorboards made of Spruce for their sauna.



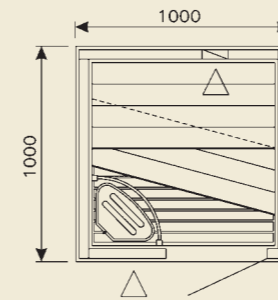
Friend of the forest

Only the best, economically sustainable wood is used in Harvia saunas. Respect for the versatility of nature is a part of Finnish heritage and Harvia's sauna philosophy.

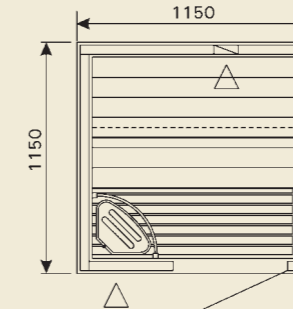


Sauna floor plans by product line

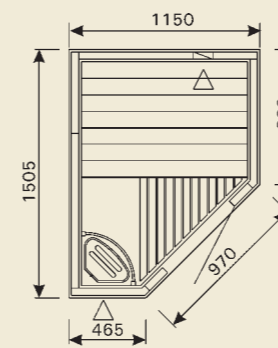
S1010



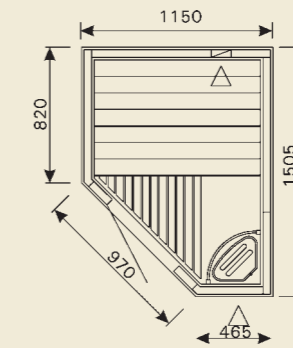
S1212



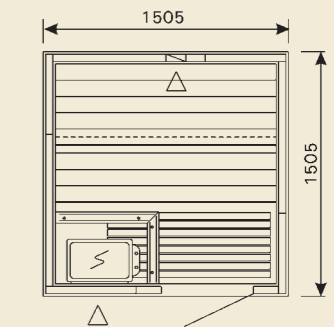
S1215R



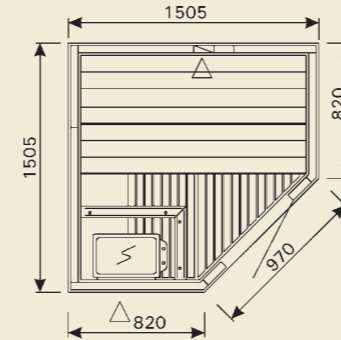
S1215L



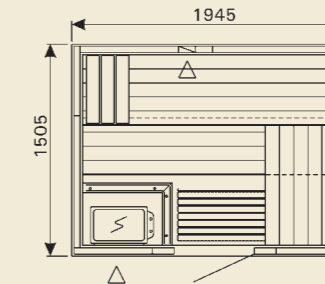
S1515



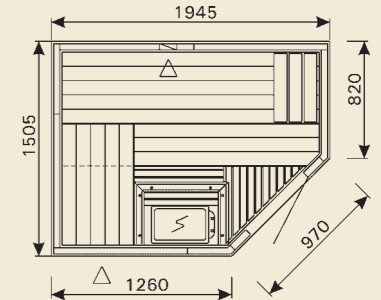
S1515R



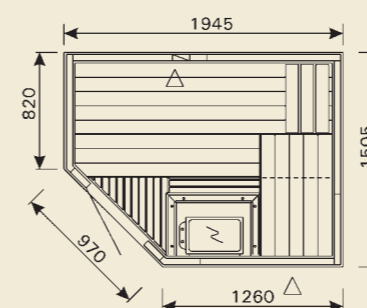
S2015



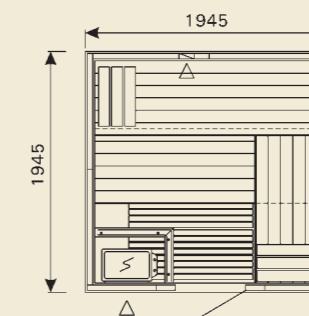
S2015R



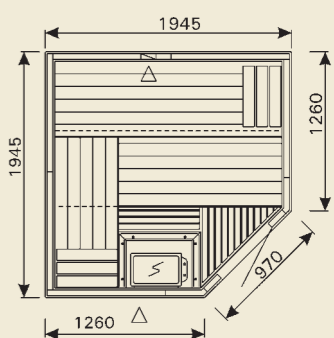
S2015L



S2020

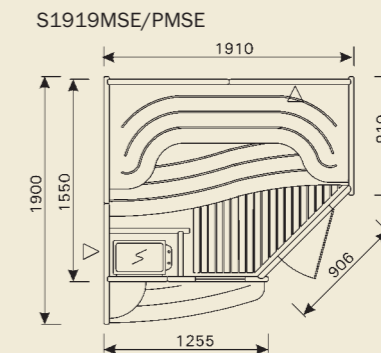
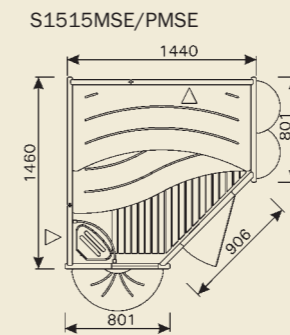
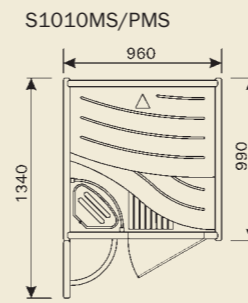
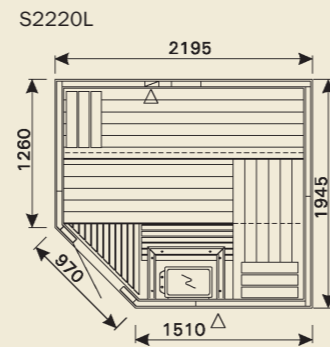
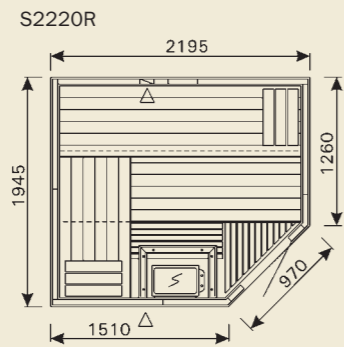
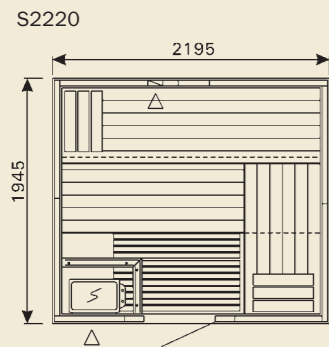


S2020R

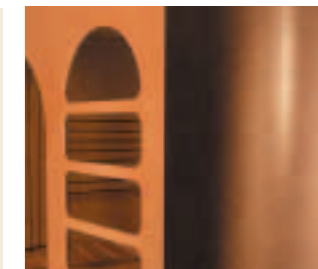
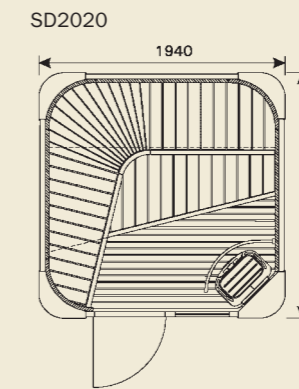
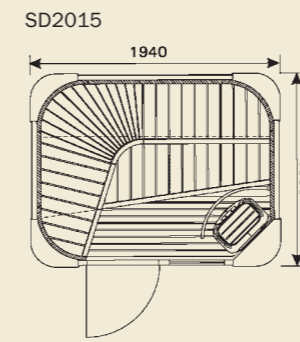
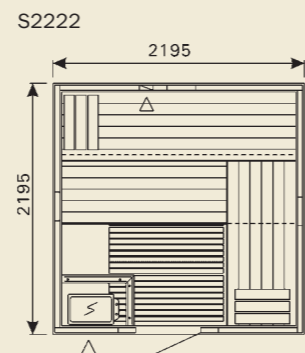
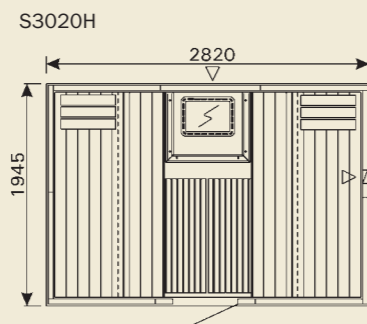
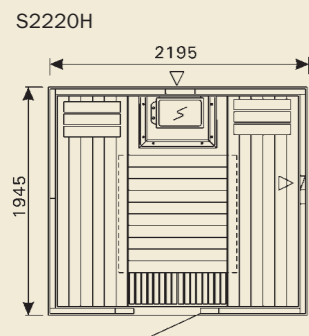


Variant Line

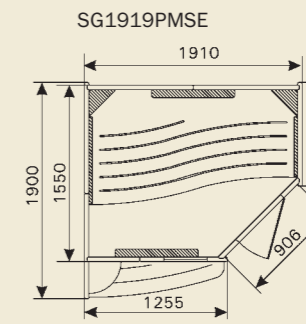
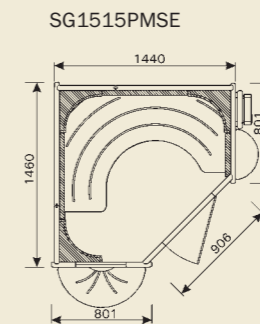
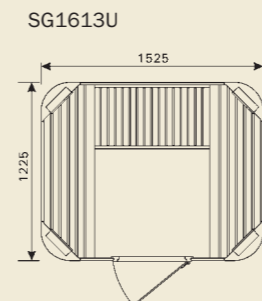
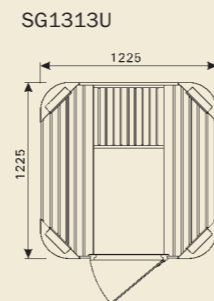
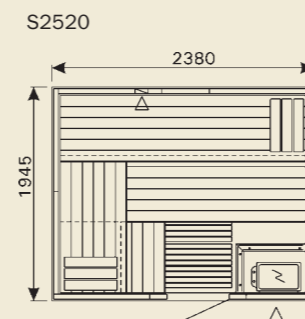
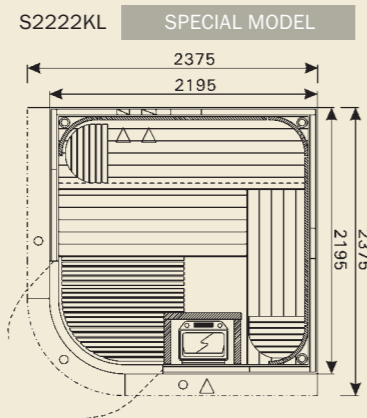
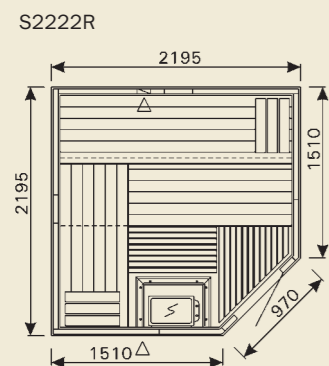
(p. 6-7)



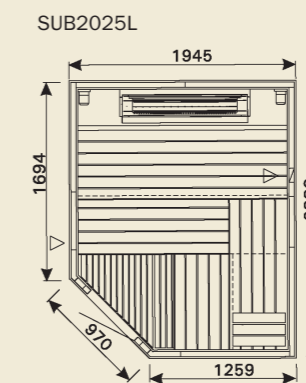
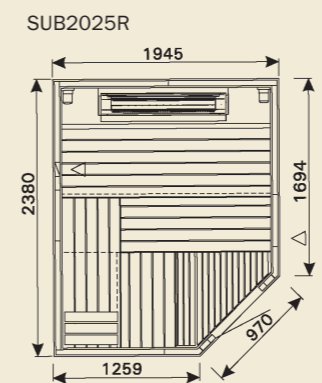
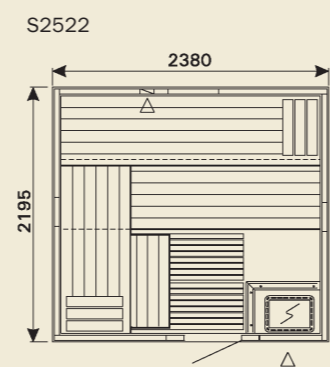
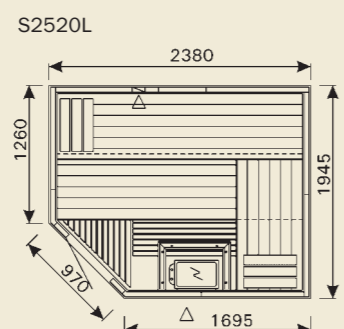
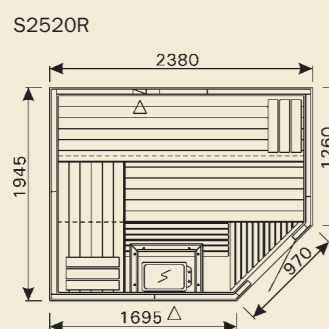
Solid Line
(p. 8-9)



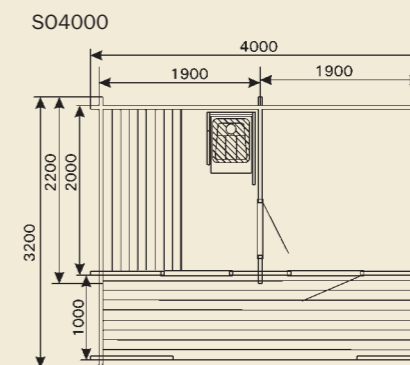
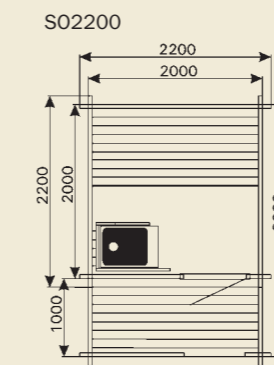
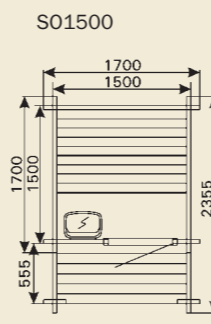
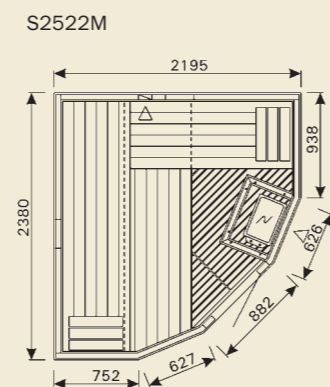
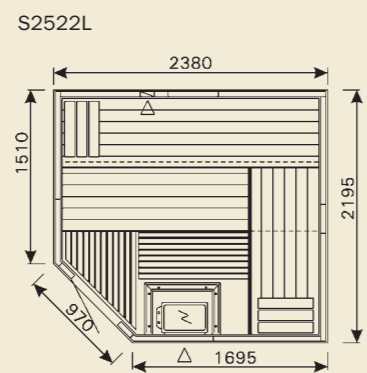
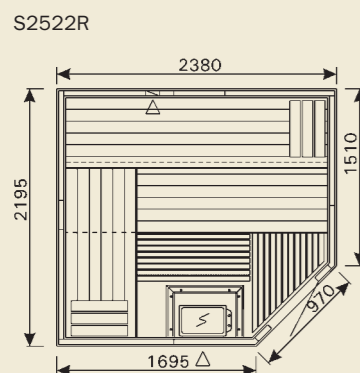
Elegant Line
(p. 10-11)



Infrared cabin
(p. 12-13)



Special Saunas
(p. 14-15)



Outdoor Sauna
(p. 18-19)